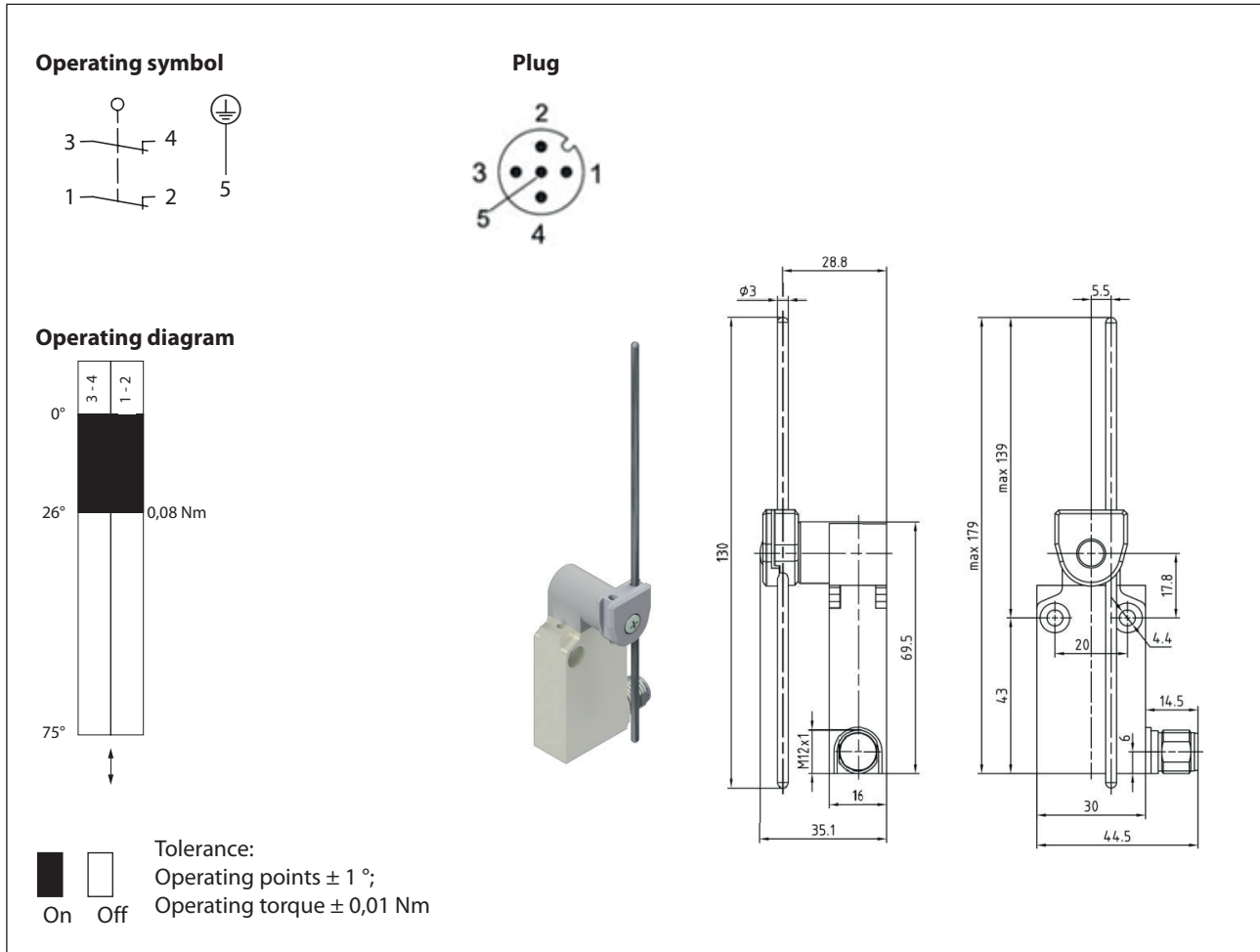


Metal bodied limit switch Series M49

Description **M49-A2 AD M12**

Article number **6023000127**



| Electrical Data | |
|---|--|
| Rated insulation voltage | U_i 250 V |
| Conv. thermal current | I_{the} 4 A |
| Rated operational voltage | U_e 240 V AC / 24 V DC |
| Utilization category | AC-15, 240 V / 3 A; DC-13, 24 V / 2 A |
| Short-circuit protective device $U_e < 500$ V a.c. - gG type fuses | Fuse 4 A gG |
| Protection class | I |

| Mechanical data | |
|-----------------------------|---|
| Enclosure | Zn die-casting, powder coated, RAL 7001 (silver gray) |
| Actuator | Axle lever housing (Zn die-casting, galvanized), AD-rod (stainless steel) |
| Ambient air temperature | |
| -during operation | -25 °C ... +70 °C |
| -for storage | -40 °C ... +70 °C |
| Contact type | Slow action, 2 N.C. (Form Zb) |
| Mechanical life | 10 x 10 ⁶ switching cycles |
| Switching frequency | 3600 / h |
| Velocity for actuating | 0,5 m/s |
| Resistance between contacts | < 25 mΩ |
| Connection | 1 x plug M12x1 ; 5-pole, male |
| Weight | 0,165 kg |
| Installation position | All positions are authorized |
| Protection type | IP67 acc. to IEC/EN 60529 |

| Standards |
|------------------|
| DIN EN 60947-5-1 |

| EU Conformity |
|--|
| acc. to directive 2014/35/EU (Low-Voltage-Directive) |

| Approvals |
|--------------------------------|
| cUL _{US} (B300, R300) |
| CCC |

| Notes |
|---|
| Type 4 -X – 6 enclosure (“outdoor use - raintight - watertight corrosion resistant”) acc. to UL50 |